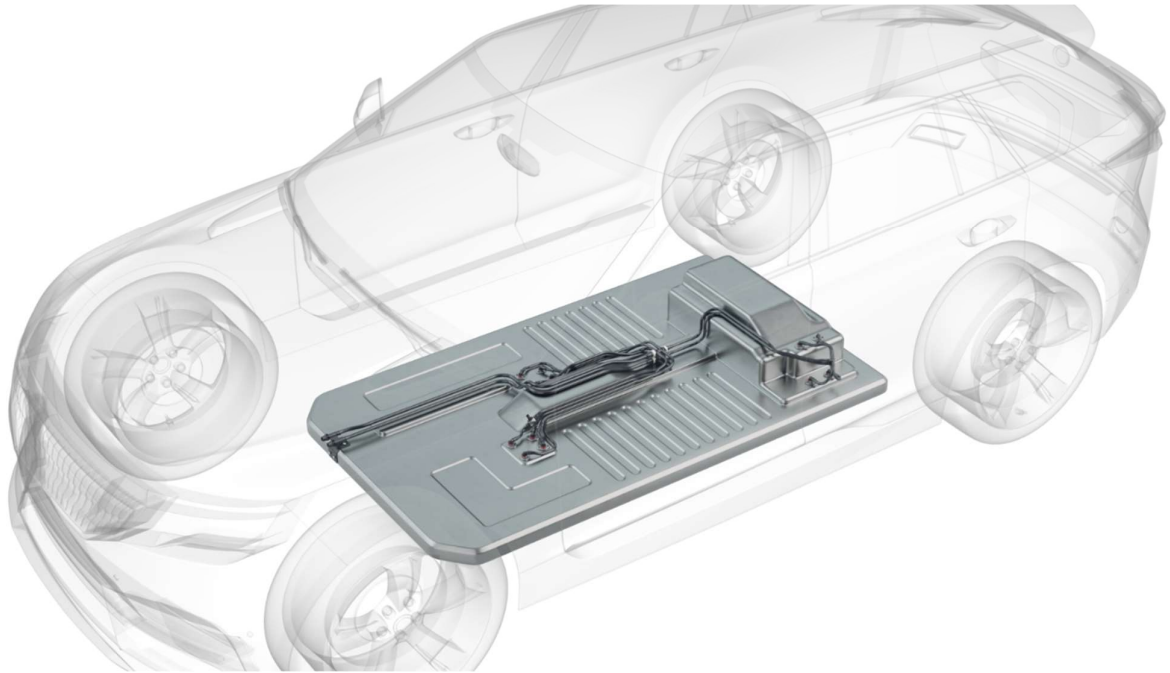


VOSS Valves for Thermal Management



3/2-Way Proportional Valve

Technical specifications

- Valve functionality: 3/2-Way Proportional
 - Nominal volume flow: 60 l/min
 - Nominal operating pressure: 2.5 bar
 - Pressure drop (@60 l/min): < 0.06 bar
 - Maximum operating pressure: 3.5 bar
 - Internal leakage (@dp: 2.5 bar): < 0.10 l/min
 - Pressure during vacuum filling: -0.98 bar (0.02 bar abs.)
 - Medium temperature: -40 °C to +140 °C
 - Medium type: Automotive Coolant
-
- Nominal supply voltage: 12 V
 - Operational voltage range: 9 V – 16 V
 - Operational current: < 0.5 A (only during valve motion)
 - Nominal speed: 10 rpm (60°/s)
-
- In-built absolute angle sensor: Yes (Data via LIN-Bus)
 - Actuator control: LIN 2.1
 - Electrical connector: 5-pin Connector (MLK/MCON 1.2 mm)
 - Actuator certified for standard automotive applications
-
- Environment temperature: -40 °C to +140 °C
 - IP-Protection class: IP6K9K
 - Mounting location: Chassis mounted
 - Lifetime / Endurance: 3 Million cycles (end-stop to end-stop)
-
- Fluid port type: Hose Interface (Port outer- \varnothing : 25mm // inner- \varnothing : 20mm)
(Other port types and orientations on request)

